

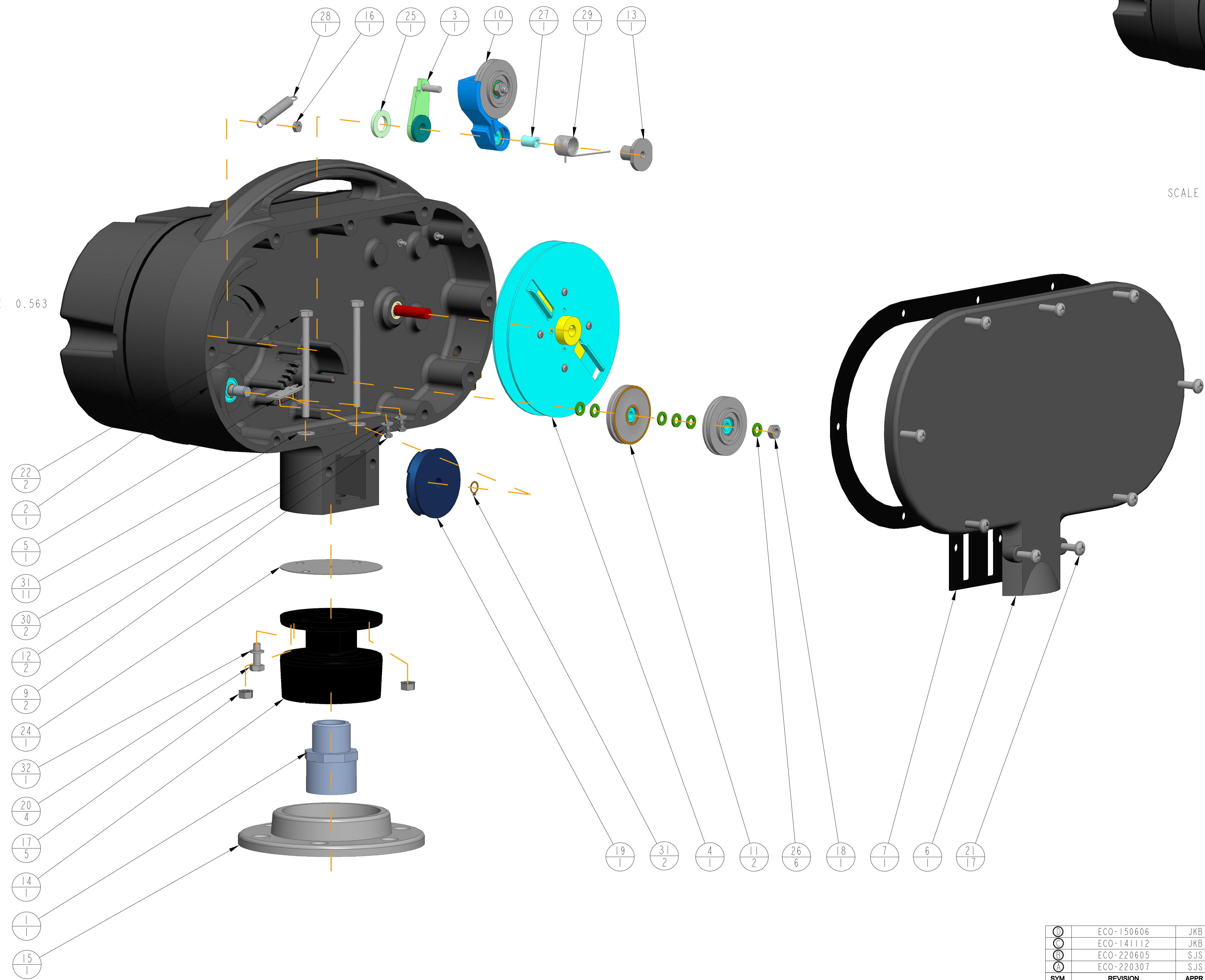
This drawing is the property of Garner Industries. It is issued in confidence on the condition that it is to be returned on request and that it is not to be copied or reproduced in any way, or used in the manufacture of the subject matter thereof without the written consent of Garner Industries.

(A) (B) (C)

- NOTE:
1. TIGHTEN PARTS 140-0028 & 140-0029 ON IDLER ARM PULLEY AND DOUBLE GROOVE PULLEY THEN LOOSEN 1/4 TURN, PAGE 1
 2. APPLY A SMALL AMOUNT OF LOCTITE #242 TO SPRING MANDREL PART 299-0617, PAGE 1
 3. REVISED/UPDATED DRAWING TO MATCH CURRENT ASSEMBLY & ADDED SHEET 2 FOR CLARIFICATION
 4. THIS ASSEMBLY DEPICTS ATYPICAL SBR 11. THE PARTS LISTED BELOW & OTHERS NOT SHOWN ARE VARIABLE & DETERMINED AT THE TIME OF ORDER:
 - a) 175-0142
 - b) 416-0383
 - c) 299-0064
 5. PART 299-0064 IS PURCHASED SEPERATELY FROM THIS ASSEMBLY

SCALE 0.563

SCALE 0.333



ITEM	PART No.	DESCRIPTION	QTY.
1	1750142	ADAPTER 1" NPT MALE TO 1" PVC	1
2	4160352	ASS'Y, ENCLOSURE	1
3	4160636	ASS'Y, IDLER ARM BRKT, SNGL PIN	1
4	4160383	ASS'Y, SUPPLY PULLEY, 3.00 HUB	1
5	2990665	CLEANER, IDLER PULLEY, SBR 11	1
6	2200321	COVER, MECHANICAL	1
7	2800061	GASKET, MECH. SIDE	1
8	2990838	GRND STRAP, SBR11 ENCLOSURE CONDUIT	1
9	1050062	HEX HD. MACH. SCREW #6-32 X 1/2 SS	2
10	4160624	IDLER ARM ASS'Y, SBR 11	1
11	4160400	IDLER PULLEY	2
12	1451002	LOCK WASHER, INT. TOOTH #6, SS	2
13	2990617	MANDREL, SBR 11 TORSION SPRING	1
14	2580092	MOUNT, SBR-11 POWDER COAT, BLACK	1
15	2990064	MOUNTING FLANGE	1
16	1400029	NUT, #8-32, NYLON INSERT	1
17	1400023	NUT, HEX KEPS 1/4-20 STNLS STL	5
18	1400028	NUT, JAM 1/4-20	1
19	2720079	PULLEY, TIMING, SBR-11	1
20	1100048	SCREW, 1/4-20 X 3/4 LNG	4
21	1100107	SCREW, 1/4-20 X 7/8 LNG	17
22	1100115	SCREW, HEX HD, 1/4-20 X 3.5 LNG SS	2
23	1100132	SCREW, HX HD, 8-32 X 5/16", 18-8 SS	2
24	2800085	SEAL, CABLE WIPER	1
25	2900090	SPACER, .54 ODX15/16 ID	1
26	2900086	SPACER, 1/4 BEARING	6
27	2900085	SPACER, IDLER ARM	1
28	2920049	SPRING, EXTENSION	1
29	2920045	SPRING, TORSION	1
30	1450003	WASHER, FLAT #6, S.S.	2
31	1450006	WASHER, FLAT, 1/4 SAE	11
32	1451007	WASHER, LOCK, ANSI 1/4" SS	1
31	1650002	RING, EXT RET 0.375 SHAFT DIA SS	2

UNLESS OTHERWISE NOTED REMOVE ALL BURRS AND SHARP EDGES				PARTS MUST BE CLEAN AND FREE OF OIL OR ANY OTHER RESIDUE			
DIMENSIONS ARE IN INCHES UNLESS NOTED OTHERWISE				TITLE: FINAL ASS'Y, SBR 11			
TOLERANCES ARE NOT ACCUMULATIVE				APPROVED	DATE	SHEET 1 OF 2	
DESIGNED	JKB	6-19-15	2 PLACE	SJS	2-1-02	DO NOT SCALE DRAWING	
DRAWN	SJS	6-12-02	3 PLACE	SJS	2-1-02	7201 North 98th Street Lincoln, NE 68507-9741	
CHECKED	SJS	3-7-02	4 PLACE	ENG.		DWG. NO. 4160343	
SYM.	REVISION	APPR.	DATE	FINISH:	N/A		

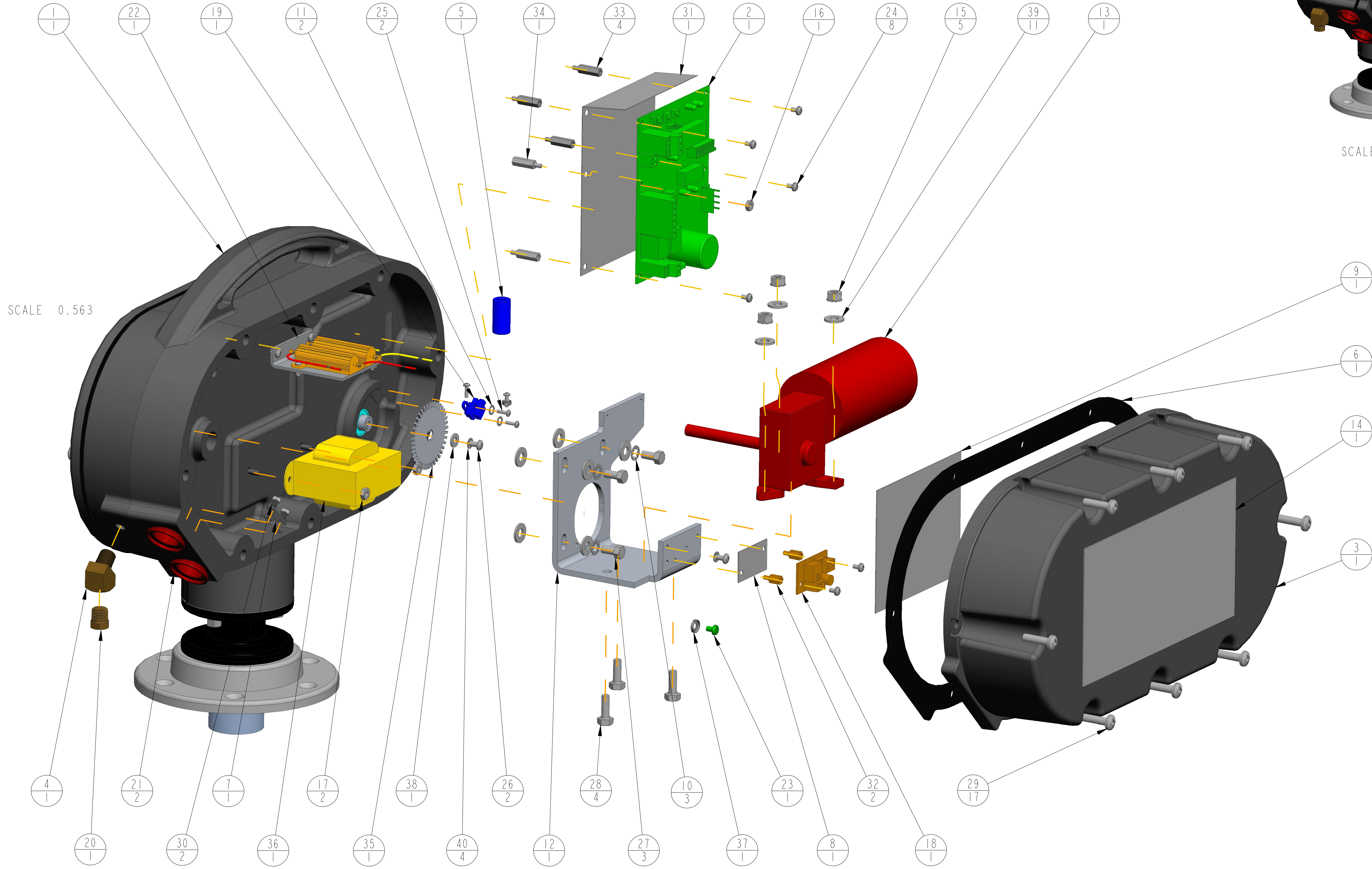
This drawing is the property of Garner Industries. It is issued in confidence on the condition that it is to be returned on request and that it is not to be copied or reproduced in any way, or used in the manufacture of the subject matter thereof without the written consent of Garner Industries.

(A) (B) (C)

- NOTE:
1. TIGHTEN PARTS 140-0028 & 140-0029 ON IDLER ARM PULLEY AND DOUBLE GROOVE PULLEY THEN LOOSEN 1/4 TURN, PAGE 1
 2. APPLY A SMALL AMOUNT OF LOCTITE #242 TO SPRING MANDRL PART 299-0617, PAGE 1
 3. REVISED/UPDATED DRAWING TO MATCH CURRENT ASSEMBLY & ADDED SHEET 2 FOR CLARIFICATION
 4. THIS ASSEMBLY DEPICTS ATYPICAL SBR 11. THE PARTS LISTED BELOW & OTHERS NOT SHOWN ARE VARIABLE & DETERMINED AT THE TIME OF ORDER:
 - a) 175-0142
 - b) 416-0383
 - c) 299-0064
 5. PART 299-0064 IS PURCHASED SEPERATELY FROM THIS ASSEMBLY



SCALE 0.333



SCALE 0.563

ITEM	PART No.	DESCRIPTION	QTY.
1	4160352	ASS'Y, ENCLOSURE	1
2	5300158	ASS'Y, PCB	1
3	2200322	COVER, ELECTRICAL	1
4	1750177	ELBOW, 45 DEG. 1/4-18 NPT	1
5	3250001	FERRITE BEAD	1
6	2800060	GASKET, ELEC. SIDE	1
7	2990838	GRND STRAP, SBR11 ENCLOSURE CONDUIT	1
8	3380105	INSULATOR	1
9	2550140	LABEL, WIRE DIAG. SBR 11	1
10	1451010	LOCK WASHER INTERNAL TOOTH 1/4S.S.	3
11	1451001	LOCK WASHER, INT. TOOTH #4, SS	2
12	2580085	MNT, MTR & RESISTOR	1
13	3500049	MOTOR, 24VDC, 133RPM, RT ANGLE GEAR	1
14	2600139	NAMEPLATE	1
15	1400023	NUT, HEX KEPS 1/4-20 STNLS STL	5
16	1400021	NUT, KEPS, #6-32	1
17	1400020	NUT, KEPS, #8-32	2
18	5300168	PCB, POWER TERMINAL	1
19	3700011	PHOTO INTERRUPTER	1
20	1750039	PLUG, HEX 1/4-18 NPT	1
21	2120043	PLUG, TAPERED, VINYL	2
22	5300599	RESISTOR ASS'Y, SBR 11, 5 OHM	1
23	1750011	SCREW, GROUND	1
24	1100002	SCREW, 6-32X5/16 PHIL. SS	8
25	1100019	SCREW, #4-40 X 3/8 LNG	2
26	1100013	SCREW, #8-32 X 5/16 LNG	2
27	1100025	SCREW, 1/4-20 X 1/2 LNG	3
28	1100048	SCREW, 1/4-20 X 3/4 LNG	4
29	1100107	SCREW, 1/4-20 X 7/8 LNG	17
30	1100132	SCREW, HX HD, 8-32 X 5/16", 18-8 SS	2
31	2990621	SHIELD, SBR 11 PC BOARD	1
32	2900121	SPACER, #6-32 X 1/4	2
33	2900070	SPACER, #6-32 X 3/4 LG.	4
34	2900088	SPACER, AL HEX 6-32 X 3/4 LNG	1
35	2990331	TIMING WHEEL	1
36	3880037	TRANSFORMER	1
37	1459003	WASHER, CUP, #6-#10	1
38	1450004	WASHER, FLAT, #8	1
39	1450006	WASHER, FLAT, 1/4 SAE	11
40	1451008	WASHER, LOCKING INT. TOOTH #8 S.S.	4

UNLESS OTHERWISE NOTED REMOVE ALL BURRS AND SHARP EDGES				PARTS MUST BE CLEAN AND FREE OF OIL OR ANY OTHER RESIDUE			
DIMENSIONS ARE IN INCHES UNLESS NOTED OTHERWISE				TITLE: FINAL ASS'Y, SBR 11			
TOLERANCES ARE NOT ACCUMULATIVE				APPROVED	DATE	SHEET 2 OF 2	
DESIGNED	JKB	6-19-15	2 PLACE	SJS	2-1-02	DO NOT SCALE DRAWING	
DRAWN	SJS	11-28-14	3 PLACE	SJS	2-1-02	7201 North 98th Street Lincoln, NE 68507-9741	
CHECKED	SJS	6-12-02	4 PLACE	ENG.		DWG. NO. 4160343	
ENG.	SJS	3-7-02	ANGLES				
SYM.	REVISION	APPR.	DATE	FINISH:	N/A		