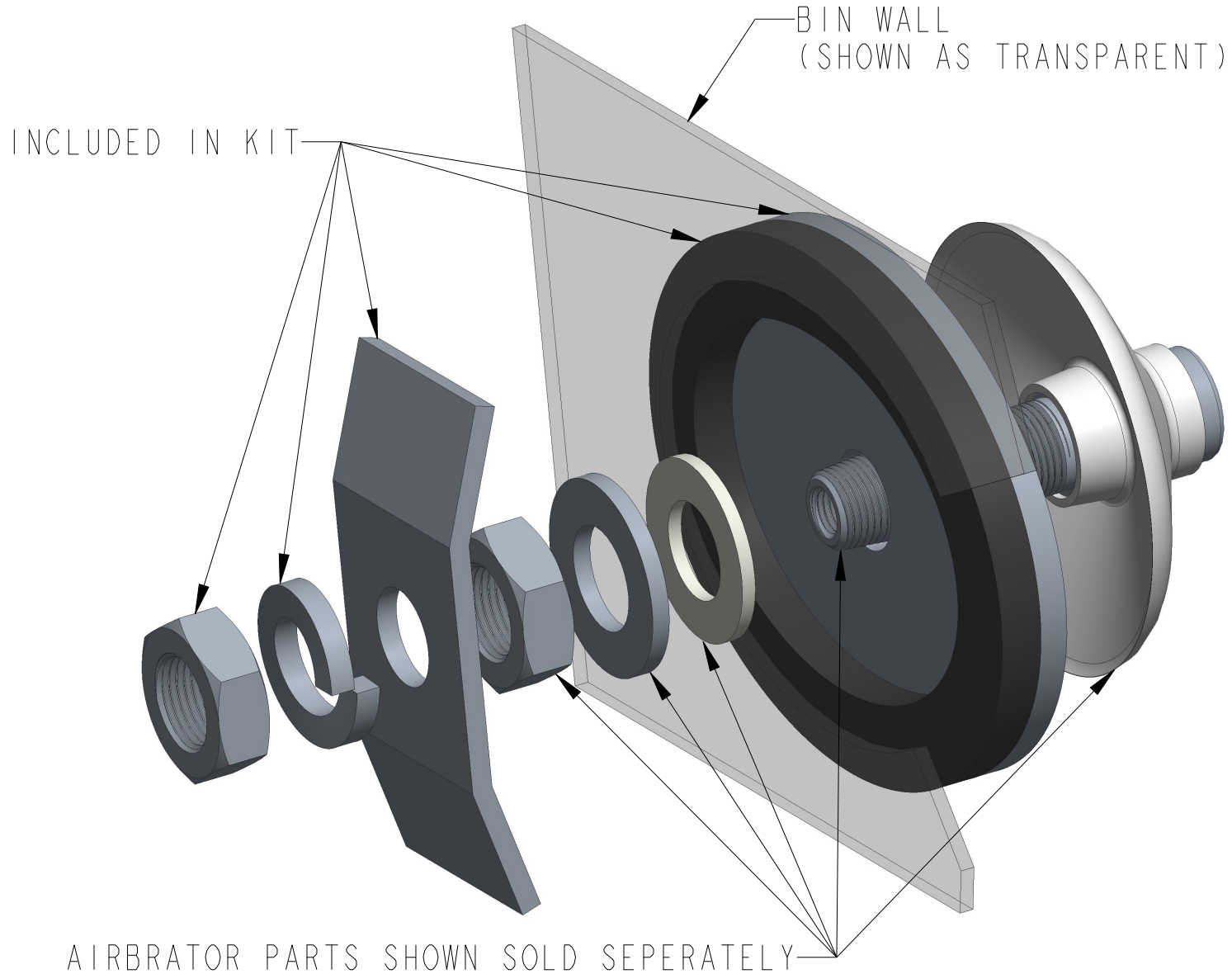


This drawing is the property of Gamer Industries. It is issued in confidence on the condition that it is to be returned on request and that it is not to be copied or reproduced in any way, or used in the manufacture of the subject matter thereof without the written consent of Gamer Industries.

DIMENSIONS ARE IN INCHES UNLESS NOTED OTHERWISE

BINMASTER

Division of Gamer Industries / 7201 North 98th Street / Lincoln, NE 68507
(402) 434-9102 / fax (402) 434-9144 \ www.binmaster.com



SCALE 0.750

TITLE: MTG DIM, AIRBRATOR EXTERNAL OVAL MNT'G KIT

Model No.: AB-MKO

P/N: 416-0421

DWG No.: 418-0216

REVISION A
PAGE 1 OF 2

This drawing is the property of Gamer Industries.
It is issued in confidence on the condition that it
is to be returned on request and that it is not to
be copied or reproduced in any way, or used in the
manufacture of the subject matter thereof without
the written consent of Gamer Industries.

DIMENSIONS ARE IN INCHES UNLESS NOTED OTHERWISE

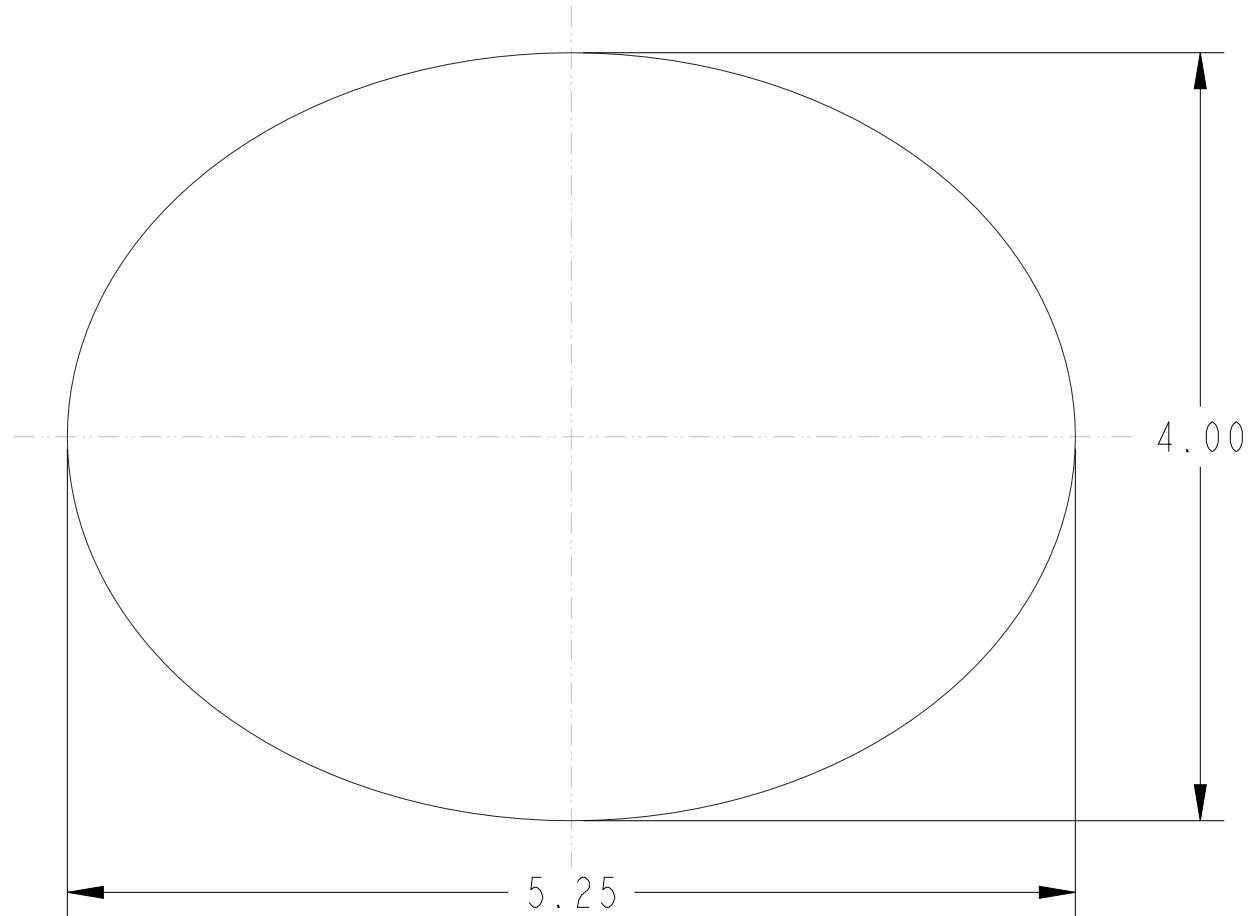


Division of Gamer Industries / 7201 North 98th Street / Lincoln, NE 68507
(402) 434-9102 / fax (402) 434-9144 \ www.binmaster.com

TEMPLATE

Airbrator External Oval Mounting Plate

Template must be printed actual size on 8.5" x 11" (A size) paper



SCALE 1.000

TITLE: MTG DIM, AIRBRATOR EXTERNAL OVAL MNT'G KIT

Model No.: AB-MKO

P/N: 416-0421

DWG No.: 418-0216

REVISION
A
PAGE
2 OF 2