

EXL

EN

Extra Large autoclave



Euronda[®]
Pro System



EXL

Extra Large Autoclave

- 4 **EXL**
Great performance, low consumption
- 6 **Capacity**
Large, human scale
- 8 **Connectivity**
A system that is always connected and up to date
- 10 **Traceability**
Expandable to adapt to your requirements
- 12 **Eco-friendly**
Savings and sustainability
- 14 **Functional**
Always at your service
- 16 **Reliable**
Long-lasting safety
- 18 **Accessories**
Starter kit included
- 20 **Traceability and connectivity**
Print Set 2
Print Set 3
E-Data & E-Memory software
- 21 **Tests**
Helix Test
Bowie & Dick Test
Prion Test
- 22 **Water treatment systems**
Aquaosmo
Aquafilter 1 to 1
Aquaibox
- 24 **Sterilization cycles and personal functions**
- 26 **Technical data and technical specifications**

Euronda Pro System

Products, Process, Protection



Cleaning



**Thermal
disinfection**

Eurosafe 60



**Ultrasonic
washing**

Eurosonic® 4D
Eurosonic® 3D
Eurosonic® Energy
Eurosonic® Micro



Thermosealing

Euromatic®
Euroseal® Valida
Euroseal®
Euroseal® Infinity



**Sterilization
rolls**



**Euroseal®
Check**

Euronda Pro System is a Total Protection System for practices that has been developed to ensure the safety of staff, patients, instruments and working environments. There are a number of steps in the sterilization process and it will only be successful if each one - from collection to storage - is carried out properly. Thanks to the Pro System line, it is possible to implement a cutting-edge, effective, efficient protocol that can be followed on a regular basis and increase the safety of a practice while optimizing its resources.



Sterilization



Autoclaves

EXL
E10
E9
E8



Tests



Traceability / Retrieving



Water treatment

Aquaosmo
Aquabox
Aquafilter 1 to 1
Aquadist

EXL

Great performance,
low consumption



The EXL autoclave was developed to meet the needs of clinics with high patient volumes, ensuring greater load capacity, improved performance, coupled with low consumption, thanks to its instant steam generator. Efficiency and sustainability have been achieved by customisable cycle management systems, but the jewel in the crown of this machine is its extendable traceability and connectivity by means of a SD Card or Ethernet, ensuring that sterilisation data is always available on computers, printers, smart phones and tablets. Everything in the EXL has been designed to optimise the operational efficiencies of the clinic, providing safe, sustainable and reliable sterilisation to the highest Euronda standards.



Capacity

With its 29 litre chamber, EXL is the biggest-capacity Euronda autoclave available, whilst ensuring optimum sterilisation results.



Connectivity

The integrated SD Card and the Ethernet connection will ensure that sterilisation data is always available, transferring it from the autoclave to a computer or other devices.



Traceability

It provides an expandable system of traceability thanks to standard connectivity and integrable Print Sets for the printing of adhesive labels.



Eco-Friendly

Thanks to its instant steam generator and the Pro System technology, sterilisation settings are adapted to the effective load, thus optimising water and electricity consumption.



Functional

From its user-friendly interface, to the most innovative systems which guarantee the autoclave's performance over time: EXL improves and simplifies sterilisation and the management of the sterilisation process.



Reliable

Based on the most highly developed Euronda autoclaves, the EXL combines their strengths and best features in terms of duration, maintenance and design build.



All the space you need

The spacious 29 litre stainless steel chamber can hold any load, thereby reducing the number of cycles. EXL can sterilise 5 trays or 3 cassettes simultaneously.



Customisable

The new menu offers maximum customisable functions: the option of interacting with the machine and configuring it based on your own professional usage ensures that the EXL perfectly matches the specific requirements of your clinic.



Organise your time

The E-timer function programmes the launch of the autoclave function at a chosen time, so time can be managed according to the clinic's routine, without interfering with operator tasks.



Capacity

Large, human scale

EXL is the Euronda autoclave with a greater load capacity, designed for clinics seeking to optimise time and resource consumption. The customisable programming functions of the cycles allows for the optimum management and organisation of all operations, delivering both an efficient and effective sterilisation process.



Connectivity

A system that is always connected and up to date

The need to be fully connected to other systems in the clinic is fundamental and has always been central to Euronda research. For this reason, we have made it even easier to instantly connect the EXL to other Pro Systems, such as the Euroseal® Valida thermosealer and the Eurosafe 60 thermodisinfecteur.

A close-up photograph of a light grey control panel. On the left, the text 'Euronda' is printed in a bold, dark blue font, with a thin blue horizontal line underneath it. Below 'Euronda', the words 'Pro System' are printed in a smaller, dark grey font. Further down and to the left, the letters 'EXL' are embossed in a large, light grey, sans-serif font. To the right of the text, there is a rectangular recessed area, possibly a display or a control knob, which is partially visible.

Euronda

Pro System

EXL



Expandable Connectivity

Full connectivity with the SD Card, Ethernet and optional E-WiFi kit, allows for data to be collected on a computer, printer, smartphone and tablet, providing a (WAN) network to share data and resources.



Total management

The optional E-WiFi kit allows the inter-connection of the Pro System devices to each other, as well as to a computer, tablet or smartphone. With E-WiFi, all data is available and updated through the computerised sterilisation file. The E-Link software, included in the kit, can be easily installed on Windows or iOS operating systems and can monitor up to 5 Euronada devices fitted with the E-Wifi kit.



The future of sterilisation

Connect several autoclaves and other Euronada Pro Systems to your software management system to track and allocate all data to patient files. The E-Data software is available both for Windows and iOS environments and can be configured with the leading software systems on the market: Dios, Segosoft, Julie, Visiodent and Kodak.



Traceability is the trademark of the Euronada Pro System, the first to introduce an expandable traceability system. Even with EXL, all the sterilisation cycles are saved on files and can be printed directly thanks to the optional Print Sets. Easy to install without the need for a specialist technician.



Traceability

Expandable to adapt to your requirements



Print Set 2

Internal printer for adhesive labels



Print Set 3

External printer for bulk printing of adhesive labels



Track everything

Even the basic version of EXL tracks each sterilisation cycle, thanks to the SD Card and Ethernet connection, in compliance with standard EN13060. The SD Card's storage system allows data to be saved and transferred to a computer.



Validation and load release

EXL allows for digital registration of the sterilisation process, during both load and unload phases. The operator will be able to check the integrity and the dryness of the packages, the condition of the instruments as well as compliance with sterilisation parameters.



Integrable printers

The expandable traceability system allows for the integration of 3 different types of printers, depending on the features required. Traceability with the EXL can be adapted to meet the requirements of any clinic, ensuring compliance with regulatory standards of control and safety.

Eco-Friendly

Savings and sustainability



The EXL was realised to optimise energy consumption in an eco-friendly manner. The instant steam generator and the advanced drying cycle ensure optimum performance for rapid, sustainable and high quality sterilisation.



Minimum consumption

The EXL delivers energy efficiencies. The option to contain power consumption under 3200 W means that the EXL can be installed on a 14 A power supply. Even its average water consumption beats those of comparable size autoclaves: only 0.6 litres per cycle.



Instant steam

The innovative generator produces instant steam injected into the sterilisation chamber, optimises water consumption based on load, thereby further reducing sterilisation time, whilst improving the quality of the steam produced.



Just what you need

Thanks to the Euronda Pro System technology, the EXL can effectively determine the scale of the load introduced, adjusting the correct sterilisation parameters, delivering savings in water, energy and time.

Functional

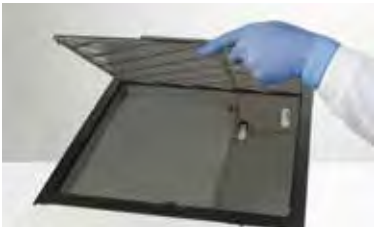
Always at your service

From maintenance to the programme functions, EXL uses solutions and systems to optimise ergonomics, usability and customisation. Hardware and software work together to simplify processes, enhance efficiencies whilst adapting them to the clinic's specific time-management requirements.

Euronda

Pro System

EXL



Easy access to the clean water tank



Inspectable

Extremely easy and quick access to the tank. Secured by a system of magnets, the top cover can be opened for frequent cleaning of the tank. The lateral panels can be entirely removed to facilitate access. Furthermore, the internal machine components are laid out in a logical order and can be easily accessed, for easier, quicker and more efficient maintenance.



Touch Display

The touch colour display with a new selection of clear, essential icons is very user-friendly. The user interface is designed specifically to ensure that daily operator tasks are carried out more efficiently.



Flexible

EXL offers 3 test cycle options (Vacuum, Helix, Bowie and Dick) and 5 type B cycles (121°, 134°, 134° Prion, 134° Rapid, 134° Rapid Prion) fully UNI EN 13060 compliant.



Reliable

Long-lasting safety

The EXL uses the strengths and best features of the most evolved Euronda autoclaves in terms of duration, maintenance and design build. EXL guarantees maximum reliability and longevity for quality and durable sterilisation over time.



Duration

The EXL ensures optimum sterilisation performance guaranteeing constant and optimal quality. The integrated conductivity cell monitors water quality, while the air-water separation device is a real "lifesaver" for the drainage pump.



Manufacturing quality

Euronda's care and attention to its design build ensures that the EXL is a solid, efficient and sturdy machine. Everything has been designed to increase the autoclave's performance, including lateral walls fitted with numerous spouts to ensure perfect ventilation. Built with quality materials and with innovative and tested technological solutions, the EXL guarantees maximum longevity and safety, delivering unparalleled reliability.



Software support

The software programmes developed by Euronda ensure that the EXL functions are constantly monitored, facilitating the work of the technicians during the installation, diagnoses and maintenance phases. Thus the EXL is always in peak performance mode, reducing time and service costs.

Euronda
Pro System

EXL



Accessories



Starter kit included



Standard tray holder

The square panelled stainless steel tray holders are designed for the loading of 5 aluminium trays 55cm long. As these can be rotated to 90°, 3 shelves for sealed trays can be used.

Trays included.



Accessories

- Drainage pipes
- Sponge
- 2 tray removal handles
- Adjustable door handle
- Funnel

Traceability and connectivity



Print Set 2

Built-in adhesive labels printer: safely tag your load. Install this simple printer device on board in a few easy steps. Save space and conveniently print your labels and bar codes.



Print Set 3

External large-quantity labels printer kit for continuous production. Safely tag your load by connecting the printing device in a few easy steps. Can be used for both labels and bar codes.



E-Data & E-Memory software

E-Data software allows to link autoclaves and other Euronada Pro System Devices to your management system in order to have all the sterilization data available for your practice management software. E-Data is available for both Windows and iOS operating systems and it is compatible with all of the top management systems on the market, such as Dios, Segosoft, Julie, Visiodent and Kodak. E-Memory software manages the sterilization data on your computer. Thanks to this file management system you will have a complete and organized database of your sterilization processes.

Tests



Helix Test

Test for class B autoclaves to evaluate the capacity of penetration of the steam in hollow loads. Composed of a tube and 250 colour testers to confirm sterilization.

Single pack



Bowie & Dick Test

Test for class B autoclaves to evaluate the penetration efficiency in porous loads.

Single pack
Carton of 10 pieces



Prion Test

Prion Test: a test for class B autoclaves that checks whether items have been exposed to the 134°C Prion sterilization cycle.

Single pack

Water treatment systems



Aquaosmo

Aquaosmo is a system that uses reverse osmosis to produce deionized water. A complex filtering system, containing no fewer than 4 filters and 1 membrane, produces a large amount of water that is suitable for supplying autoclaves and all of the equipment in practices, in accordance with the EN 13060 standard ($<15 \mu\text{S}/\text{cm}$). A gun for spraying water manually can be also connected.

Aquaosmo is designed to be installed together with an Aquabox and connected directly to an autoclave. It can supply between 2 and 4 autoclaves at the same time if it is fitted with the special external accumulator tank kit, which has a capacity of 12 litres. Aquaosmo does not need to be connected to an electrical power supply and it can be installed directly on a work surface or inside a unit.

It can supply:

4 autoclaves

Water production:

1 L of water every 20 minutes

Min./max. supply pressure:

2 / 3 bars

Conductivity of incoming water:

Max. 650 μS

Dimensions (wxhxd):

360 x 280 x 180 mm

Weight:

5,3 kg (empty)



External accumulation tank
Included in the kit



Aquabox
Included in the kit



Nozzle
Not included in the kit



Aquafilter 1 to 1

Device that produces deionized water for the autoclave, in compliance with the EN13060 standard (<math><15 \mu\text{S}/\text{cm}</math>). It can be connected to one single autoclave.

Aquafilter 1 to 1 deionises an average of 1 litre of water per minute. An indicator light shows the water conductivity level, allowing you to see at a glance when it's time to replace the resins. It can be equipped with an automatic shut-off device. It can be positioned on the worktop, inside a cabinet or it can be wall-mounted. The pack contains: two ion-exchange resin cartridges, a resin fixing tool, a water mains connection pipe, and a pipe and cable for connection to an Euronda autoclave.

It can supply:

1 autoclave

Water production:

1 L of water per min.

Dimensions (wxhxd):

390 x 455 x 145 mm

Weight:

8,4 kg (empty)



Aquabox

Aquabox is a device that allows Euronda autoclaves to be connected to an external supply of water that has already been treated. It is ideal for clinics that already have water treatment systems based on osmosis or other methods. It can be installed easily on all Euronda Class B autoclave models. Quality controls on incoming water are guaranteed for devices with conductivity meters.

Dimensions (wxhxd):

100 x 100 x 50 mm

Weight:

0.5 kg

Sterilization cycles

	B 134	B 121	
	Solid, porous and hollow, wrapped and unwrapped.	Solid, porous and hollow, wrapped and unwrapped. Particularly indicated for plastics, turbines and handpieces.	
Temperature	134°C	121°C	
Pressure	2.16 bar	1.16 bar	
Sterilization time	4'	20'	
Drying time	20'	20'	
Total time with standard loads	30'	39'	
Maximum load solid/porous	7 kg / 2 kg	7 kg / 2 kg	

Personal Functions

(activation on demand with a password)

	Light & Stock Cycles**	
	S 134	S 121
	Sterilization of non-bagged or bagged solid products	Sterilization of non-bagged and plastic or bagged solid products
Temperature	134°C	121°C
Pressure	2.16 bar	1.16 bar
Sterilization time	4'	20'
Drying time	20'	20'
Total time with standard loads	18'	30'
Maximum load solid/porous	7 kg	7 kg

*Times are intended without drying. The times have a tolerance of +-5%.

**All of the cycles are available unless it is not possible due to specific national legislation.

	B 134 prion	B 134 - rapid	B 134 prion - rapid
	Prion cycle for wrapped and unwrapped solid, porous and hollow	Rapid cycle for wrapped and unwrapped solid, porous and hollow. For 1 tray instruments.	Rapid prion cycle for wrapped and unwrapped solid, porous and hollow. For 1 tray instruments.
	134°C	134°C	134°C
	2.16 bar	2.16 bar	2.16 bar
	18'	3'5"	18'
	20'	4'	4'
	43'	20'	35'
	7 kg / 2 kg	1 kg / 0,4 kg	1 kg / 0,4 kg

Technical Data

	EXL
Overall dimensions	460x455x855 mm (lxhxd)
Weight (machine empty with basket)	62 kg
Power supply	230 V 50/60 Hz
Absorbed current	3200 W 14 A
Operating temperature	+5 - +40°C
Operating altitude	≤ 2000 m a.m.s.l.*
Minimum depth of the support surface	800 mm
Minimum width of the support surface	460 mm
Minimum space above the tank	0 mm leaving the loading cap free
Noise level	50 dB
Weight per support area (tank full and chamber with max. load)	62 + 9 + 4,5 = 75,5 kg Load on each foot: 15 kg
Operating range	Indoor use. Relative humidity 85% Maximum line-voltage deviation ±10% Installation category II Pollution level 2
Dimension and volume	180x160x550 mm (lxhxd)
Average water consumption per cycle	700 ml
Tank capacity (clean water)	5 litres

* For altitudes higher than 2000m, please contact Euronda SPA

Safety Device

Protections:
 - short-circuit
 - overheating
 - overpressure
 - accidental door opening
 Process appraisal system
 Real-time self-diagnostic system

Compliance with Harmonised Standards

EN 13060
 EN ISO 14971
 EN 61010-1
 EN 61010-2-040
 EN 61326
 EN 13445

Documentation

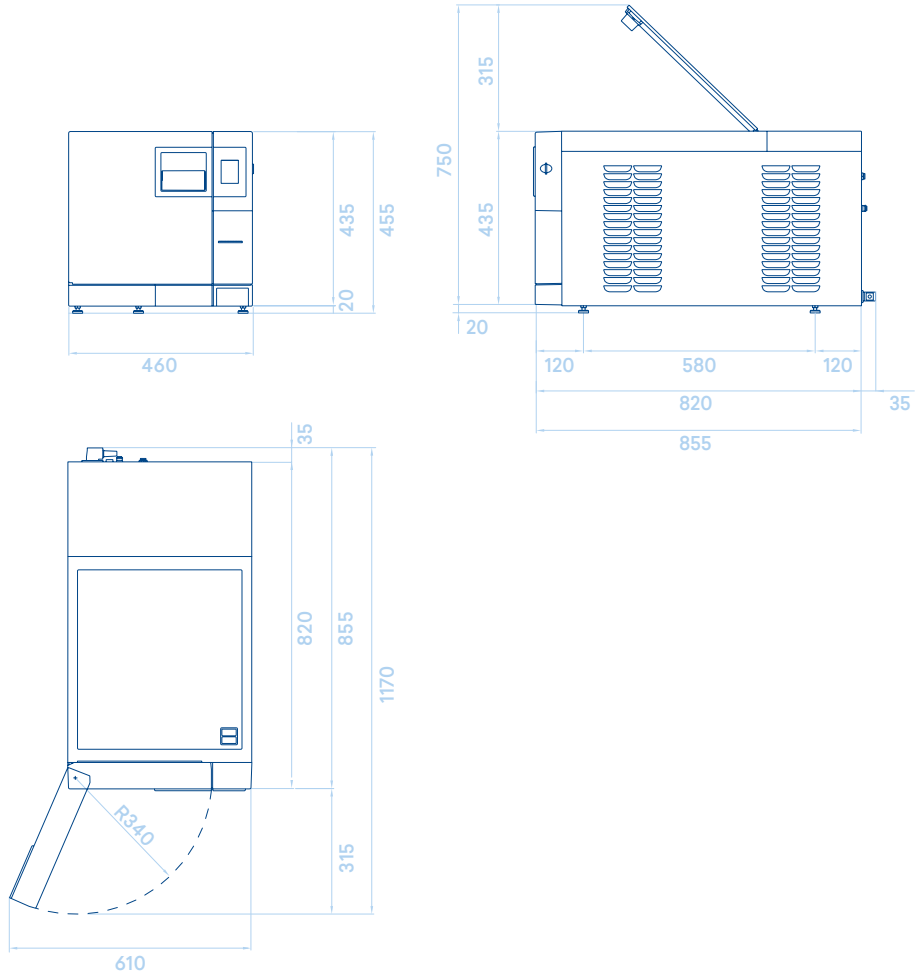
- User Manual
 - Declaration of conformity Chamber
 - Declaration of conformity autoclave
 - Warranty Certificate
 - Installation chart
 - Servicing handbook

Certification Information

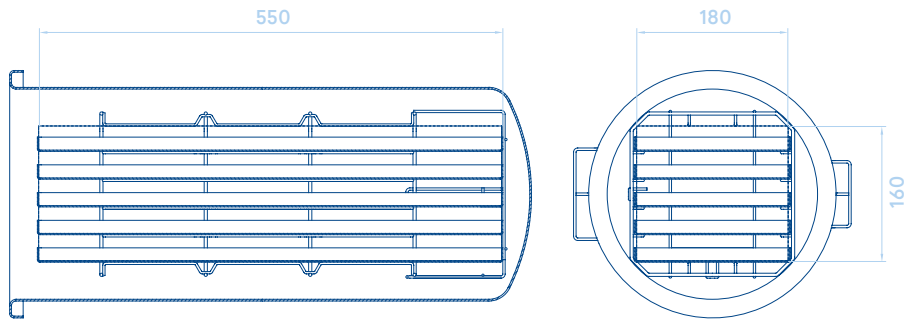
- EXL Autoclave compliant with Directive 93/42/CEE and addenda.
 - Class IIB device
 - Chamber compliant with 2014/68/UE
 - Company certification: ISO 9001
 ISO 13485
 - CE Type Ref: EXL

Technical Specifications

Overall required space (mm)



Sterilization chamber sizes (mm)



Euronda Spa © 2019

This catalogue
cannot be copied,
scanned or reproduced
by any means.
All rights reserved.

Picture, description,
quoting, dimension
and technical data
have to be considered
as purely indicative.

While maintaining the
basic characteristics
of the product, the
manufacturer reserves
the right to make
modifications at
any time with the sole
aim of improvement.

Euronda Spa

Via Chizzalunga 1
 36066 Sandrigo
 Vicenza, Italy
t (+39) 0444 656111
f (+39) 0444 656199
m info@euronda.com
www.euronda.com

Deutschland

Euronda Deutschland GMBH
 Am Landwehrbach 5
 48341 Altenberge, Deutschland
t (+49) 2505 9389 0
f (+49) 2505 9389 29
m info@euronda.de
www.euronda.de

France

Euronda France Eurl
 ZAC les Vallées, Avenue de Bruxelles
 60110 Amblainville, France
t + 33 (0) 3 44 06 69 70
f + 33 (0) 3 44 02 03 89
m info@euronda.fr
www.euronda.fr

España

Euronda Spa
 Identyd, Av. Cabezo de Torres 4
 30007 Murcia, España
t 900102034
m info@euronda.es
www.euronda.es

Russia

OOO Finstar
 5/2a Varshavskaya str.
 196128 St. Petersburg, Russia
t + 7 (812) 635 88 94
m info@finstartech.ru
www.euronda.com.ru



Euronda®

Authorized Distributor in Australia
Pacific Sensor Technologies Pty Ltd
 Unit 4, 3 Neutron Place Rowville, VIC 3178 Australia
 1300 662 720 | sales@pacificsensortech.com.au
 www.pacificsensortech.com.au