

Eurosafe 170

EN

Automatic cleaning,
extra large



Euronda[®]
Pro System

Eurosafe 170

Automatic cleaning, extra large

6 Eurosafe 170

8 Automated washing

Thermodisinfection programs

12 Load capacity

Loading trolleys

Baskets and inserts

Adapters

Compatibility of accessories

18 Traceability

E-Memory

22 Detergents

24 Technical features

25 Technical data sheet

Euronda Pro System

Products, Process, Protection



Cleaning

Packaging



**Thermo-
disinfection**

Eurosafe 170
Eurosafe 60



**Ultrasonic
washing**

Eurosonic 4D
Eurosonic 3D
Eurosonic Energy



**Thermo-
sealing**

Euromatic
Euroseal Valida
Euroseal
Euroseal Infinity



**Sterilization rolls
and pouches**

Euronda Pro System is the protection system developed to guarantee a complete and effective instrument reprocessing protocol that protects the safety of operators, patients and the working environment.

Sterilization is a multi-step process and its success depends on the correct execution of each step, from collection to storage. Thanks to the Euronda Pro System line, an advanced and traceable protocol that increases safety and optimises the practice's resources can be applied simply, efficiently and repeatedly over time.



Sterilization



Autoclaves

- E10
- EXL
- E9
- E8



Water treatment systems

- Aquaosmo
- Aquafilter 1 to 1
- Aquadist

+ Capacity

Thanks to the 170-litre washing chamber, it can accommodate up to four full loads of a 24-litre autoclave, equal to more than 140 instruments plus handpieces, turbines, scaler tips, burs.

+ Active drying

Drying, through the injection of hot air from several points inside the washing chamber, allows the complete elimination of water deposits on the outside and inside of the hollow-body instrument.

+ Powerful

The two rotating arms are arranged in such a way as to ensure that each level of the spacious washing chamber is reached by a powerful double flow of water - from above and below - for a total of 4 washing points.

+ Full optional

Equipped as standard with all the accessories needed to optimise loading: upper and lower loading trolley, instrument insert, 1 DIN basket, 2 inserts with 8 position and bur blocks.



Eurosafe 170

Automatic cleaning, extra large

Eurosafe 170 thermodisinfectors meet the needs of clinics with a high number of patients. Efficiency and longevity are ensured by the injection washing and drying system and a water filtering system that preserves pump performance over time. Eurosafe 170 allows the user to choose 3 from 20 preset cycles by matching them to the buttons under the 3.5" colour display, making them easy to select. It also allows the creation of customised cycles based on the specific needs of the material to be treated, adjusting duration and washing temperature. Eurosafe 170 is equipped with an integrated softener that allows the use of mains water and monitors the correct regeneration of the resins, giving a warning in the event of salt deficiency. The automatic dosing unit calibrates and injects the two detergent liquids, positioned outside the thermodisinfectors, autonomously and without waste. The thermodisinfectors, at the end of each cycle, create a file that can be transferred to a PC via USB, which reports all process data (time, temperature, cycle number), while also validating the load. In addition, thanks to optional accessories, data can be transferred via Ethernet connection or printed out thanks to the thermal printer. Made in Italy with durable AISI 316L stainless steel.



Classification

Medical Device Class IIb



Dimensions

60 x 84 x 63 cm (wxhxd)



Weight

90 kg



Chamber capacity

170 L



Power supply

Single-phase 220 V / 50 Hz
Three-phase 380 V / 50 Hz

Power consumption

2700 W (220 V)
5600 W (380 V)



Connectivity

- Included: USB and E-Memory software
- Optional: Datalogger



CE Ref

DS 500 CDL

Automated washing

Disinfects everything without any problems

Eurosafe 170 meets the requirements of EN ISO 15883 and allows the control of washing parameters (time, detergent concentration and temperature) during all phases.

The effectiveness of thermal disinfection is measured by the A0 value, which can be achieved with different combinations of temperature and time: the higher the temperature, the less time is needed. The standard requires a minimum A0 of 600 for thermodisinfection of surgical instruments to ensure the elimination of bacteria, mycobacteria, fungi and viruses. Eurosafe 170 allows the A0 parameter to be varied to meet different needs and local regulations.





Pre-washing

This is carried out using cold water with the aim of removing organic substances and the most superficial and coarse dirt.



Washing

This is performed at temperatures between 50 and 65 °C, adding an enzymatic detergent to ensure perfect cleaning of the instruments.



Rinsing

This is done in order to remove any detergent residue from the load used in the previous phase.



Thermodisinfection

This takes place through the combined action of hot water at an adjustable temperature of up to 95°C and a variable time of 1 to 10 minutes. During the heating phase, a second chemical agent is injected into the chamber, which prevents corrosion of the load and the forming of deposits, and also facilitates the subsequent drying phase.



Drying

The final stage of the process is achieved through effective air distribution within the chamber to obtain, when the device is opened, perfectly dry material ready for packaging.

Customisable

Eurosafe 170 has 20 pre-set cycles to better suit the washing needs of clinics. In addition, it is possible to create customised cycles with different combinations of time and temperature.

Above standard

It ensures a minimum A0 value of 600 per thermodisinfection cycle. It is also possible to set a value higher and well above the standard, and monitor this parameter in real time via the display.

Inspectable

The transparent tempered glass door allows the contents to be monitored during washing and allows intervention in the event of incorrect positioning of the load inside the chamber.

Eco-friendly

Connection to the hot water supply reduces electricity consumption and washing time. In addition, a convenient button allows the forced-air drying system to be switched off, thus reducing energy consumption.



Thermodisinfection programs

Single-phase (220 V)

	Short P1	Standard P2	Intensive P3
Description	Short cycle without pre-wash, suitable for loads without organic residues	Cycle including pre-wash, recommended for all types of instruments and dirt	Cycle including pre-wash, with longer times and higher temperatures, suitable for more resistant dirt
Total cycle time	106'	120'	134'
Pre-washing	X	✓ for 2'	✓ for 2'
Washing	50°C for 3'	60°C for 3'	65°C for 6'
Rinsing	X	X	✓
Thermodisinfection	90°C for 1'	90°C for 1'	90°C for 1'
Drying	50°C for 20'	50°C for 20'	50°C for 20'
Water consumption	67 L	79 L	80 L
Electricity consumption	2.97 KWh	3.29 KWh	3.39 KWh

Three-phase (380 V)

	Short P1	Standard P2	Intensive P3
Total cycle time	66'	80'	78'
Pre-washing	X	✓ for 2'	✓ for 2'
Washing	50°C for 3'	60°C for 3'	65°C for 6'
Rinsing	X	X	✓
Thermodisinfection	90°C for 1'	90°C for 1'	90°C for 1'
Drying	50°C for 14'	50°C for 14'	50°C for 14'
Water consumption	67 L	79 L	80 L
Electricity consumption	2.9 KWh	4 KWh	3.9 KWh

Load capacity

Solutions for every need

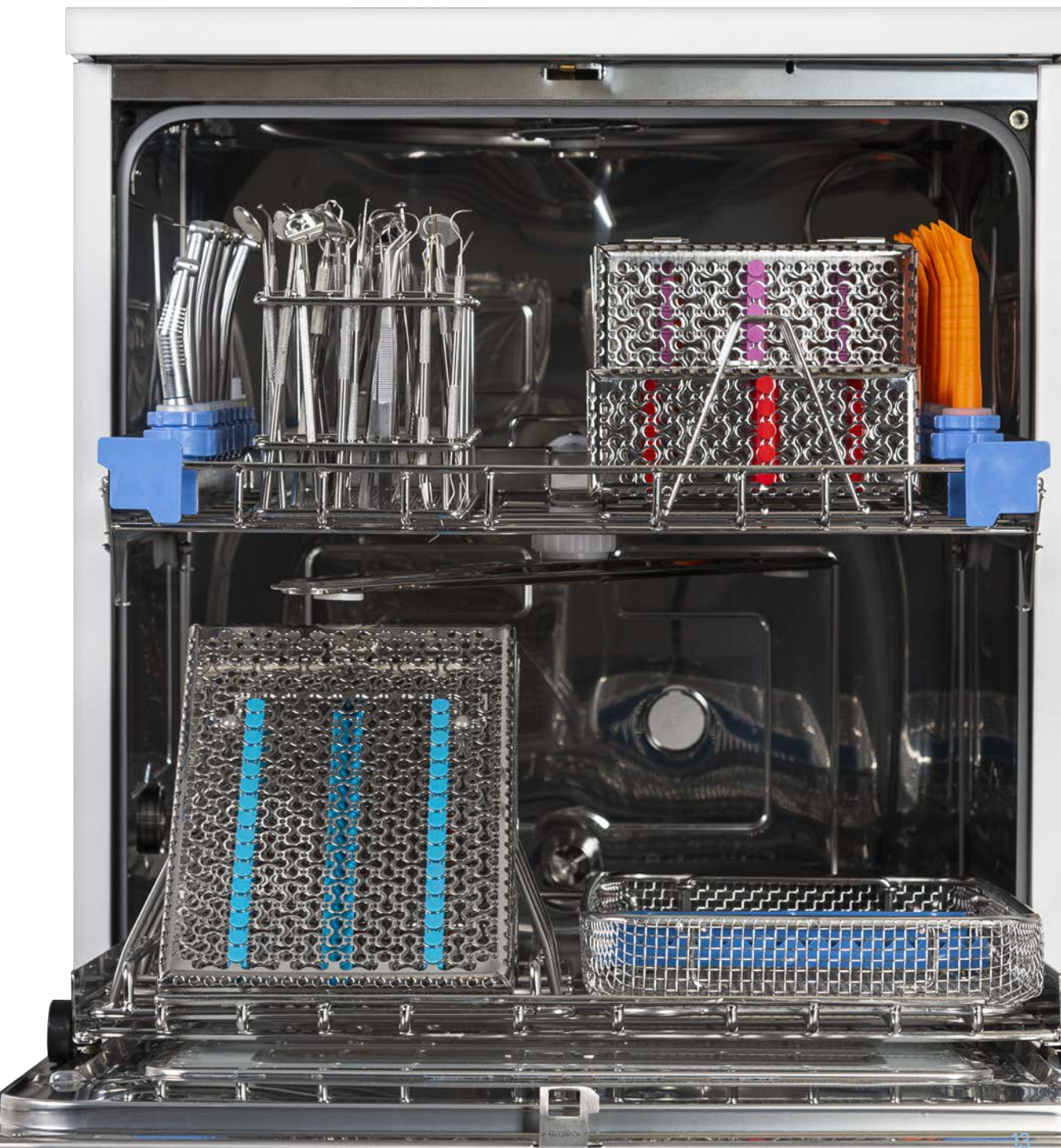
A comprehensive range of accessories including loading trolleys, inserts, baskets and adapters simplifies the operator's work and enables excellent cleaning, thermodisinfection and drying performance, maximising loading capacity and minimising waste.

Optimised spaces

Designed to utilise every centimetre of the washing chamber thanks to the two mirror-image load levels - upper and lower - that ensure easy load distribution.

Integrable

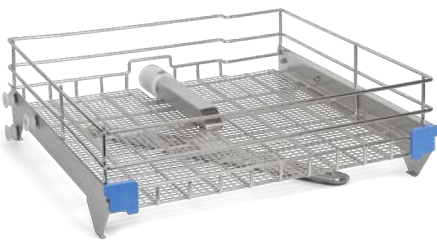
The numerous possible load combinations adapt to the needs of every clinic and allow the Eurosafe 170 to be configured to meet each individual need. The available accessories meet the needs of all clinics working in the dental, maxillofacial surgery, oral surgery, orthodontics and general medicine fields.



Loading trolleys

The 3 models of loading trolleys meet the different needs of the dental practices. They are characterised by handpiece holders, hollow body injectors and aspiration tubes. They can be customised with baskets and inserts.

Supplied



Upper loading trolley

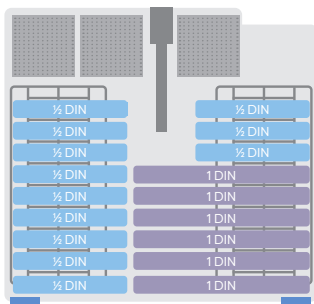
Upper trolley with rotating stainless steel arms suitable for placing cassette inserts and baskets for instruments and burs.



Loading surface dimensions

51 x 9.5 x 48 cm (wxhxd)

Suggested configurations



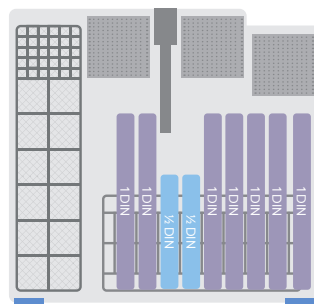
Configuration 1

Accessories:

- 2 inserts with 8 positions
- 3 bur blocks

Load:

- 6 x 1 DIN cassettes
- 12 x 1/2 DIN cassettes
- Burs



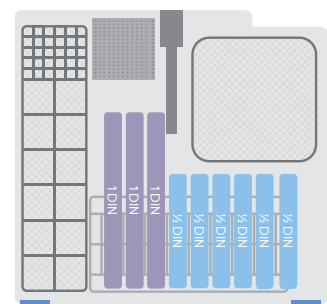
Configuration 2

Accessories:

- 1 insert with 8 positions
- 1 instrument insert
- 3 bur blocks

Load:

- 7 x 1 DIN cassettes
- 2 x 1/2 DIN cassettes
- Burs
- Instruments



Configuration 3

Accessories:

- 1 insert with 8 positions
- 1 instrument insert
- 1 bur block

Load:

- 3 x 1 DIN cassettes
- 6 x 1/2 DIN cassettes
- Burs
- Instruments

Supplied



Lower loading trolley

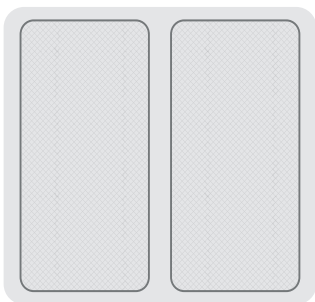
Stainless steel lower trolley suitable for cassette inserts and baskets for instruments and burs.



Loading surface dimensions

50.5 x 4 x 49.5 cm (wxhxd)

Suggested configurations



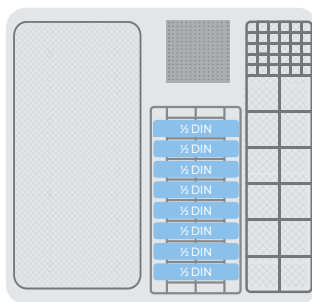
Configuration 1

Accessories:

- 2 x 1 DIN basket

Load:

- Instruments



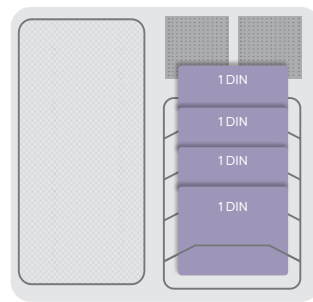
Configuration 2

Accessories:

- 1 x 1 DIN basket
- 1 insert with 8 positions
- 1 instrument insert
- 1 bur block

Load:

- 8 x 1/2 DIN cassettes (vertical)
- Burs
- Instruments



Configuration 3

Accessories:

- 1 x 1 DIN basket
- 1 insert with 4 positions
- 2 bur blocks

Load:

- 4 x 1 DIN cassettes (vertical)
- Burs
- Instruments

Optional



Upper loading trolley with 16 handpiece holders

Trolley equipped with special attachments for therm disinfection of handpieces.



Loading surface dimensions

51 x 4.5 x 48 cm (wxhxd)

Baskets and inserts

Supplied



1 DIN basket

Net basket, suitable for large quantities of loose instruments. Dimensions: 48.5 x 50 x 25 cm (wxhxd)



2 inserts with 8 positions

2 inserts for 8-slot trays and cassettes (4 cm slots). Dimensions: 18 x 11 x 39 cm (wxhxd)



Instrument insert

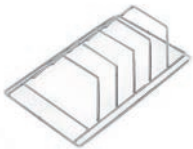
Insert for vertically-positioned instruments. Dimensions: 37 x 12 x 12 cm (wxhxd)



Bur blocks

Basket suitable for washing burs and small parts. Dimensions: 10 x 4 x 10 cm (wxhxd)

Optional



Insert with 4 positions

Insert for 4-slot trays and cassettes (3.5 cm slots). Dimensions: 25 x 8 x 38.5 cm (wxhxd)



Insert with 2 positions

Insert for 2-slot trays and cassettes (5 cm slots). Dimensions: 25 x 18 x 38.5 cm (wxhxd)



½ DIN basket

Wire net basket, suitable for scissors, tweezers and mirrors. Dimensions: 25 x 5 x 24 cm (wxhxd)

Adapters

Optional



For handpieces

This allows deep cleaning of the internal channels of the handpiece through water circulation.



For scaler tips

Consisting of 1 x M3x0.35 and 1 x M3.5x0.6 internal thread, 1 x M3x0.5 external thread, 1 hollow body injector and 1 connector for inserting 3 adapters.



For powder scaler tips and impression transfers

Consisting of 1 stainless steel filter, 1 lid for closure, 1 seal Ø 19-21 and 1 seal Ø 14-17, 1 main body and 1 upper ring.



For turbines

Made of solid aluminium, they are available for a wide range of turbine models.

- Easy Adapter KaVo
- Easy Adapter NSK PLT
- Easy Adapter NSK QD
- Easy Adapter Bien Air
- Easy Adapter W&H
- Easy Adapter Sirona

Compatibility of accessories

	Upper loading trolley	Lower loading trolley	Upper loading trolley with 16 handpiece holders
1 DIN basket	✓	✓	✗
Insert with 8 positions	✓	✓	✓
Instrument insert	✓	✓	✓
Bur blocks	✓	✓	✓
Insert with 4 positions	✗	✓	✗
Insert with 2 positions	✗	✓	✗
½ DIN basket	✓	✓	✓
Adaptors for handpieces	✗	✗	✓
Adaptors for scaler tips	✗	✗	✓
Adaptors for powder scaler tips and impression transfers	✗	✗	✓
Adaptors for turbines	✗	✗	✓

Traceability

Full and safe control of the procedures

Eurosafe 170 allows you to track of all thermodisinfection cycles performed, saving the data on USB. They can also be transferred to a PC via Ethernet connection or printed on thermal paper using the optional accessories.



External thermal printer

For those who want to keep their cycle records on paper.



Datalogger

Device for transferring thermodisinfectant data to PC via Ethernet connection.





Euronda Pro System advanced connectivity

The Euronda Pro System integrated connectivity system is designed so that all devices, including Eurosafe 170, enable complete traceability of the entire sterilization process.



Traceability of cycles

Eurosafe 170, at the end of each thermodisinfection cycle, generates a file reporting all process data, validating the load if the recorded temperatures are compliant. This file can be archived with the help of the E-Memory software and easily managed and accessed in a few simple clicks.





Simple

E-Memory is user-friendly thanks to its intuitive interface, essential controls and simple and immediate search filters.



Efficient

Automatic data capture for Ethernet and wireless devices and automatic equipment backup.



Complete

Ideal for a complete management of all equipment involved in the sterilization process. It processes an ordered list of cycles and filters them by machine, model, serial number, operator, date and outcome.



Innovative

With the Watch Folder and Technical Support functions, reporting, certification and alerts are available in one simple click.



E-Memory

For total traceability in your practice

E-Memory is the software for the complete archiving, management and traceability of all sterilization cycles and data directly on a PC.

The software acquires the sterilization process data automatically, semi-automatically or manually, storing it on the PC where it can be easily organised, searched, printed or sent by email.

E-Memory also makes it possible to trace and select all information related to the cycles performed by the different devices (thermodisinfector, sealer and autoclave) involved in the sterilization process. It is easy to consult and manage, and allows you to send selected cycles and data directly to technical support in just a few clicks, and to automatically produce reports and PDF certificates with header, graphic logo and personal data.



Download



E10

Euronda Pro System



Euronda
Pro System

Eurosafe 170



Detergents

Chemical products designed to ensure careful yet gentle washing of all instruments, ensuring proper functioning and extending the life of the thermodisinfectors.



Euroclean

Enzymatic detergent for the mechanical washing of Medical Devices. The 3-litre tank is sufficient for 120 cycles.



Packaging

3-litre tank



Eurobright

Lubricating rinsing liquid for the mechanical washing of Medical Devices. The 3-litre tank is sufficient for 360 cycles.



Packaging

3-litre tank



Regenerating salt

Salt for water treatment, prevents limescale deposits and ensures the functionality of the thermodisinfectors over time.



Packaging

1 kg bag

Technical features

	Single-phase	Three-phase
Overall dimensions	60 x 84 x 63 cm (wxhxd)	
Weight (machine empty with baskets)	90 kg	
Electrical connection	220 V / 50 Hz	380 V / 50Hz
Total power	2700 W (220 V)	5600 W (380 V)
Pump power	150 W	
Noise	< 70 dB(A)	
Accessories included	USB stick, water conductivity test, regeneration salt bag (1 kg), upper loading trolley, lower loading trolley, 2 inserts with 8 positions, 1 DIN basket, instrument insert, bur block	

Safety devices

- Short-circuit protection
- Overheating protection
- Protection against accidental door opening
- Process validation system

Compliance with harmonised standards

- 93/42/EEC as amended. (Medical Devices Directive)
- 2006/42/EC (Machinery Directive)
- 2014/30/EU (Electromagnetic Compatibility Directive)
- CEI EN 61010-1 (Safety)
- CEI EN 61010-2-040 (Safety)
- 2011/65/EC (RoHS II)

Documentation

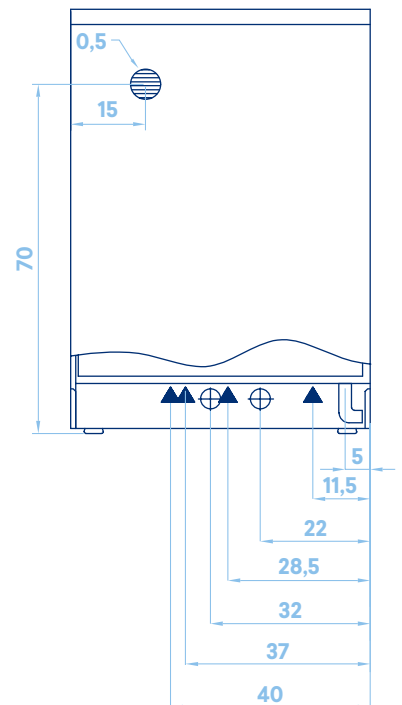
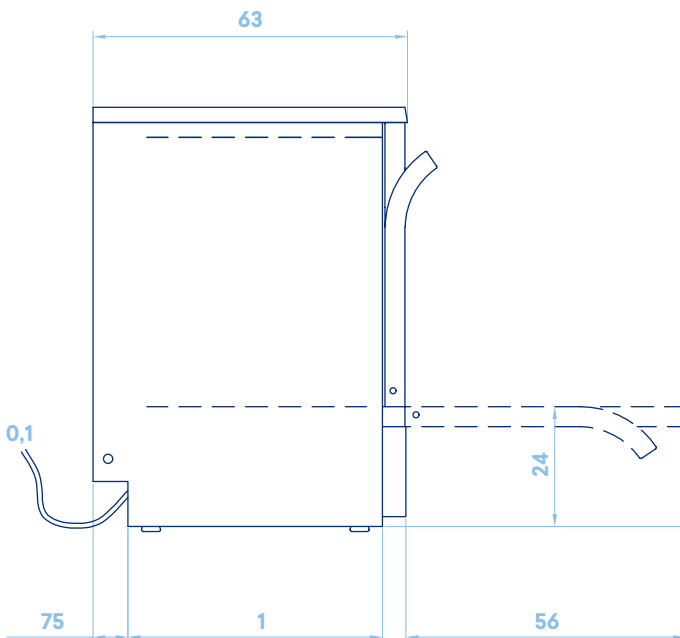
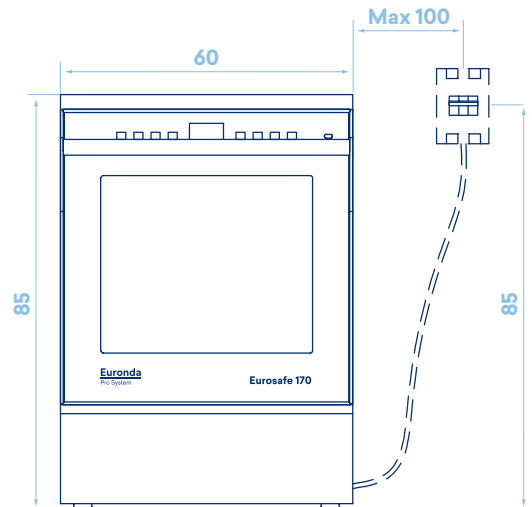
- Installation and operating manual
- Warranty certificate
- Installation sheet

Certifications

- ISO 14971 (Risk Analysis Medical Devices)
- IEC 61326-1 (Electromagnetic Compatibility)
- ISO 15883-1 (Washing effectiveness)
- ISO 15883-2 (Washing effectiveness)
- ISO/TS 15883-5 (Washing effectiveness)

Technical data sheet

Dimensions and space requirements (cm)



Euronda Spa® 2023

This catalogue may not be copied, reproduced or scanned by any means. All rights reserved.

Images, descriptions, technical specifications and features are purely indicative.

While maintaining the basic features of the product, the manufacturer reserves the right to make changes at any time with the sole aim of improvement.



Euronda Spa

Via Chizzalunga 1
36066 Sandrigo
Vicenza, Italy
t +39 0444 656111
f +39 0444 656199
m info@euronda.com
www.euronda.it

Deutschland

Euronda Deutschland
Am Landwehrbach 5
48341 Altenberge, Deutschland
t +49 2505 9389 0
f +49 2505 9389 29
m info@euronda.de
www.euronda.de

France

Euronda France Eurl
ZAC les Vallées, Avenue de Bruxelles
60110 Amblainville, France
t + 33 (0) 3 44 06 69 70
m info@euronda.fr
www.euronda.fr

España

Identyd
Calle Músico Antonio Rodríguez
de Hita, 12 Bajo 30007 Murcia
España
t 900102034
m info@euronda.es
www.euronda.es

Russia

OOO Euronda Russia
193149 Leningradsakaya obl.,
Vsevolozhsky r-on,
d. Novosaratovka, ul.
Pokrovskaya, dom 41, litera B.
Russia
t +7 (812) 635 88 94
m info@eurondarusia.com
www.eurondarusia.com



Euronda[®]

Distributor in Australia
Pacific Sensor Technologies Pty Ltd
Unit 4, 3 Neutron Place Rowville, VIC 3178 Australia
1300 662 720 | sales@pacificsensortech.com.au
www.pacificsensortech.com.au